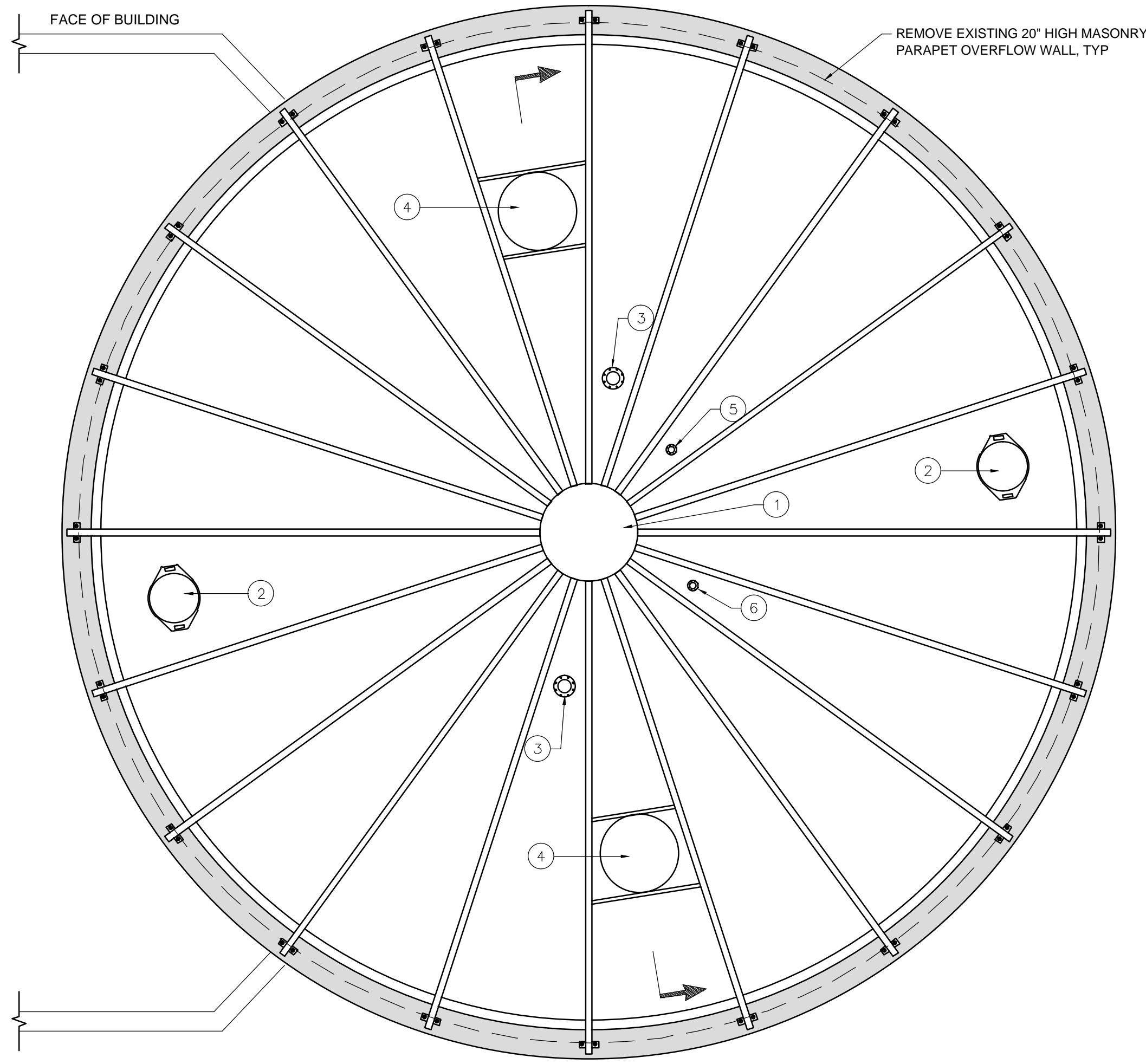
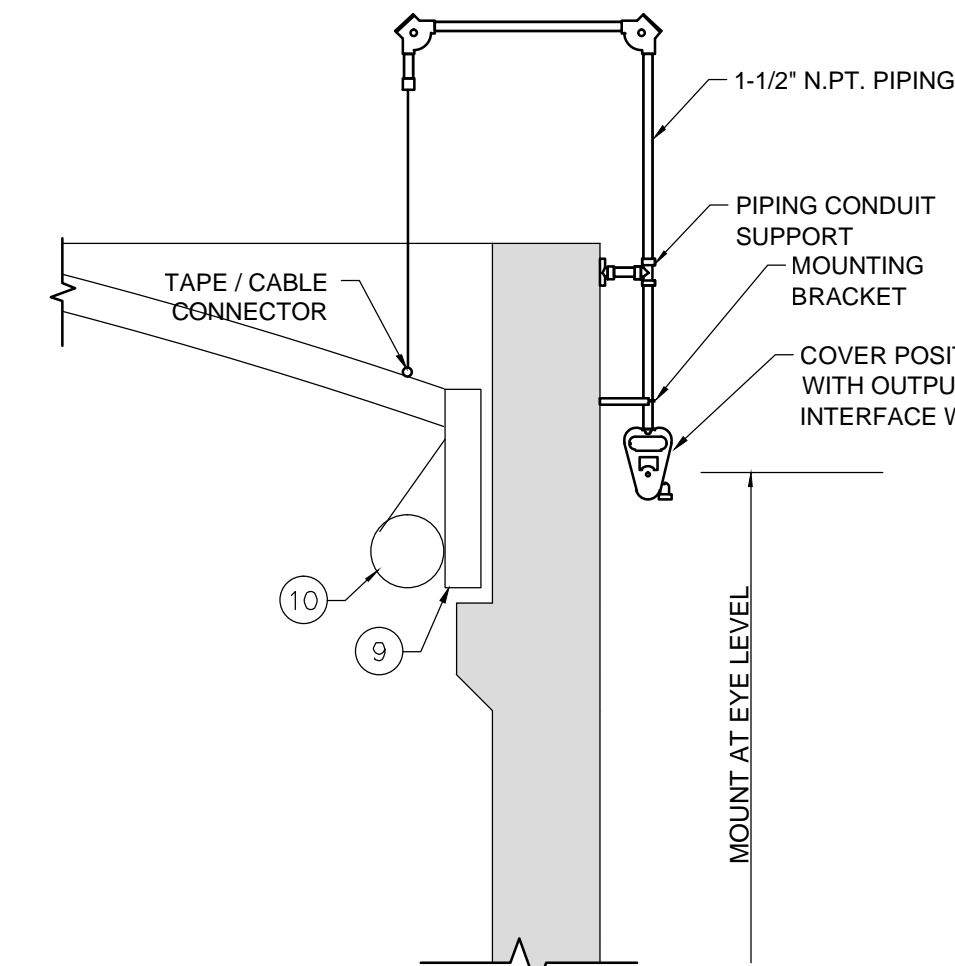


**PRIMARY DIGESTER
FIXED COVER**

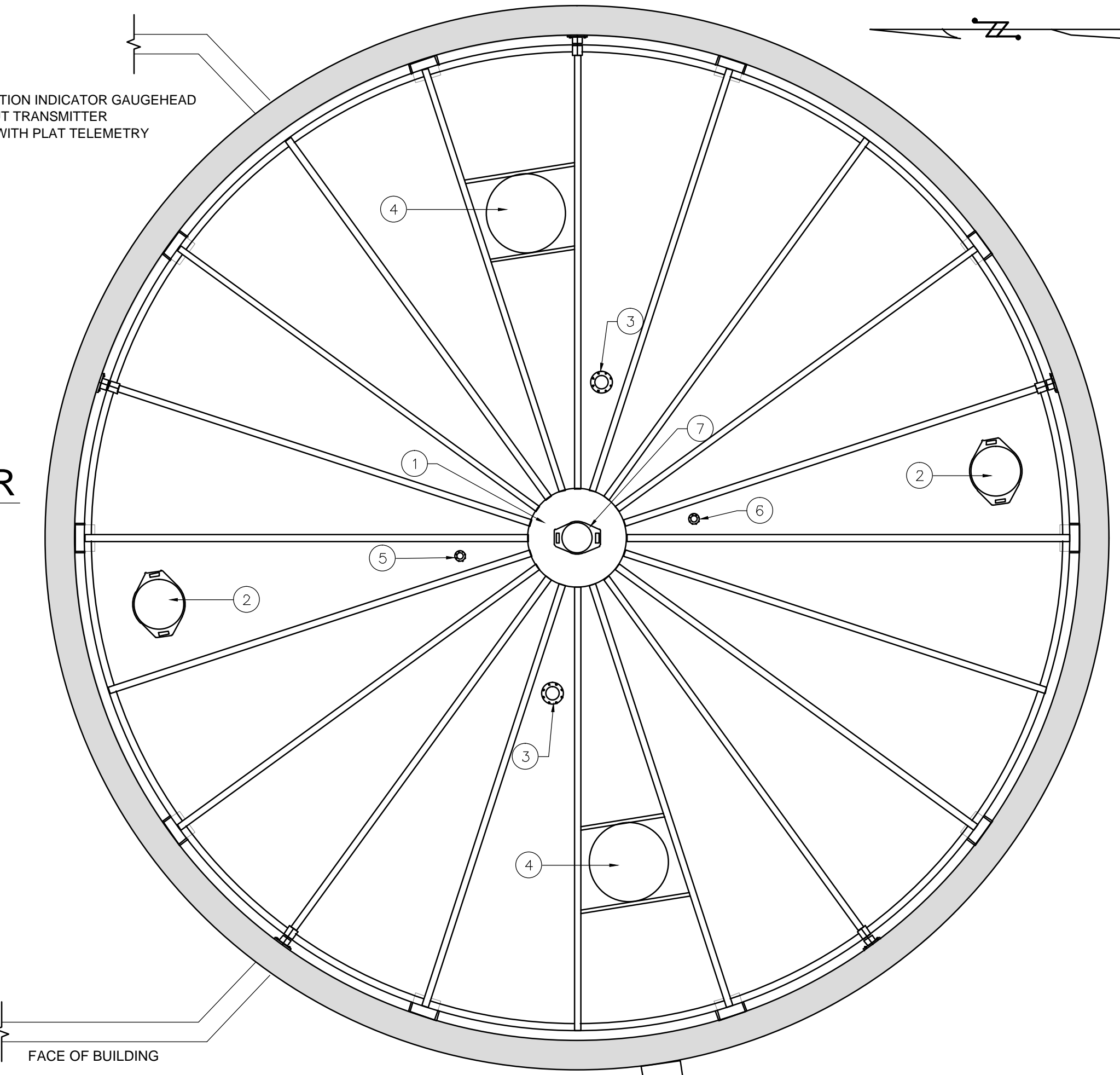


**COVER POSITION INDICATOR
GAUGEHEAD TYPE DETAIL**

N.T.S.

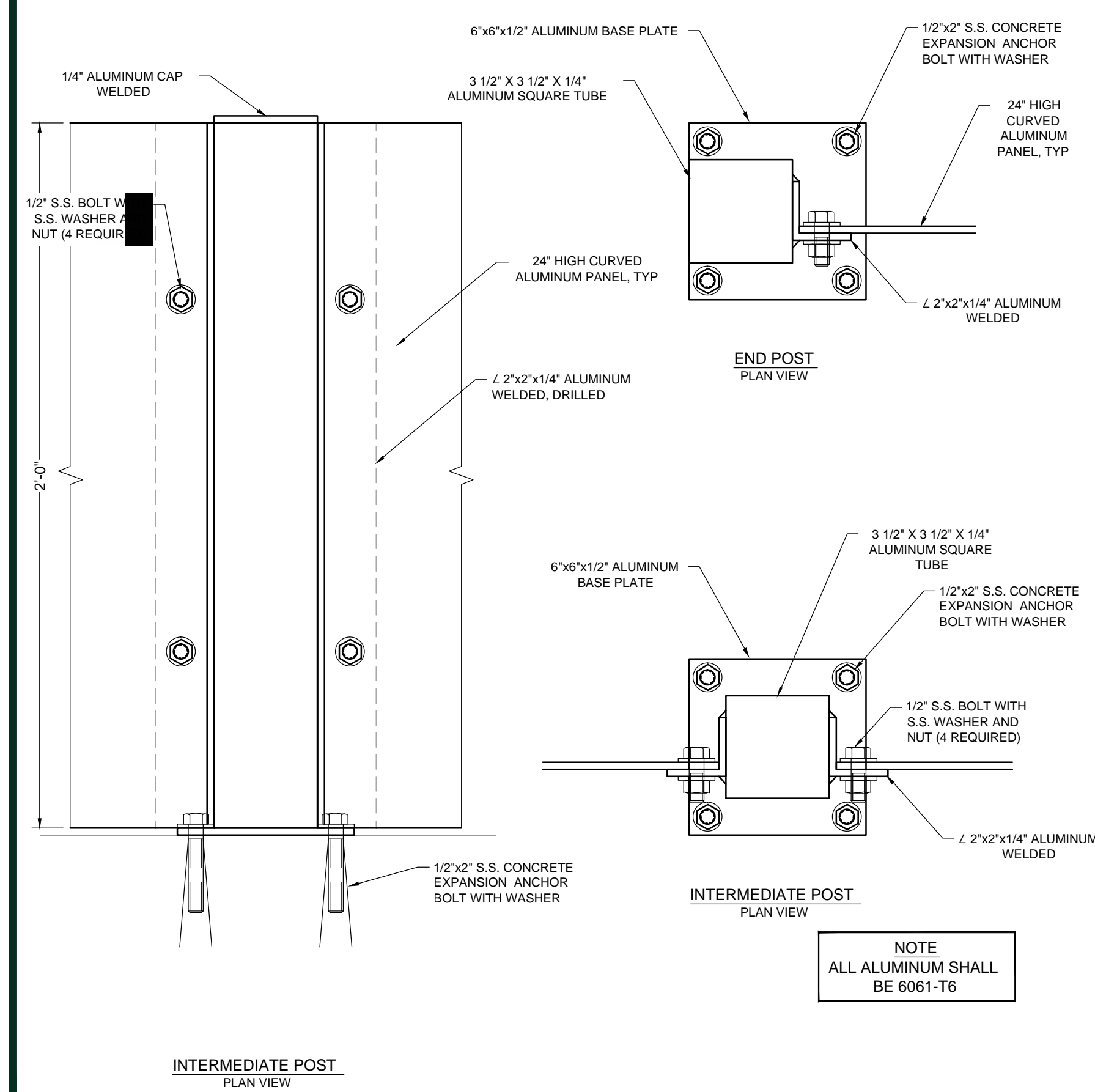
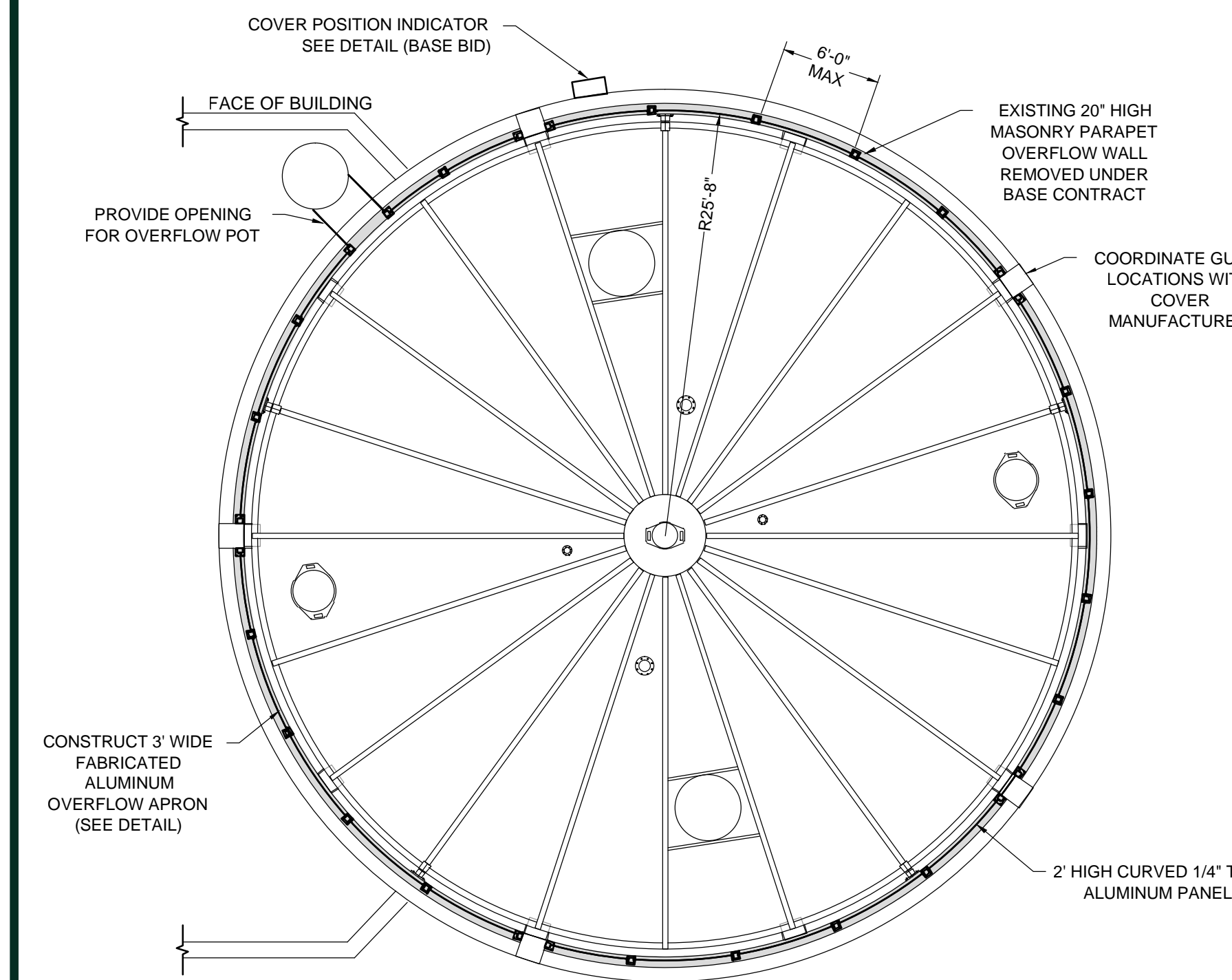


**SECONDARY DIGESTER
GAS RECOVERY COVER**



**PRIMARY DIGESTER
ALTERNATE BID "C" DETAILS
NEW ALUMINUM APRON WALL**

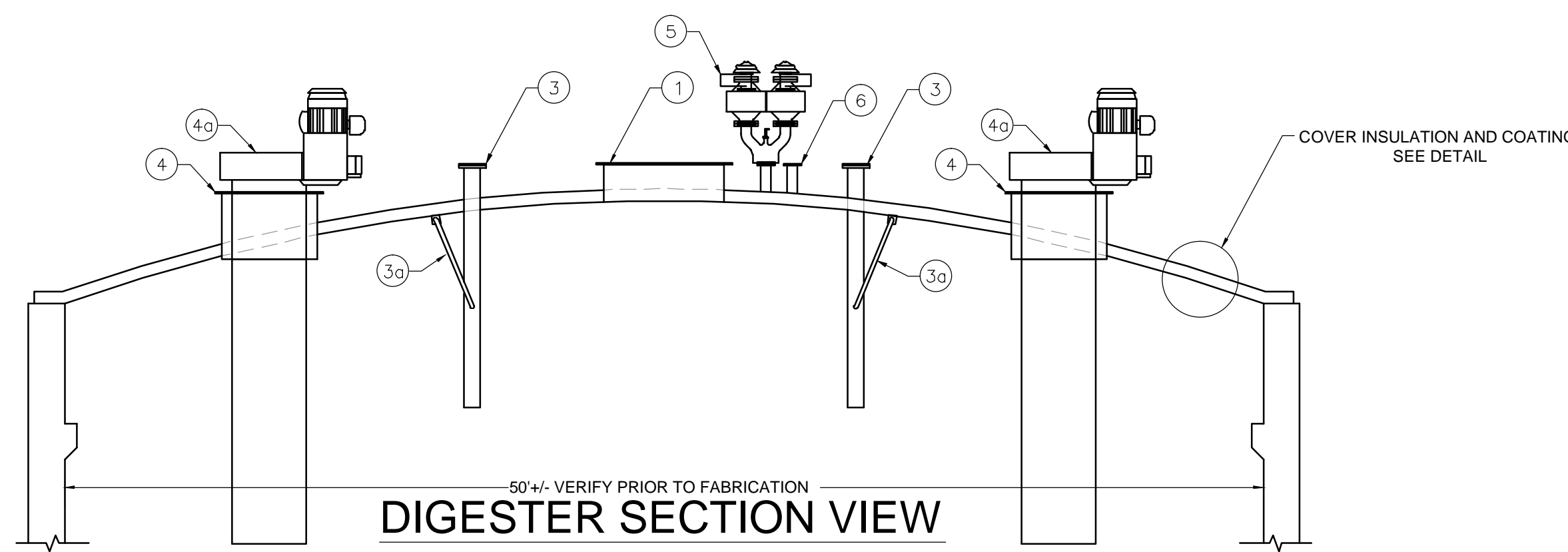
NTS



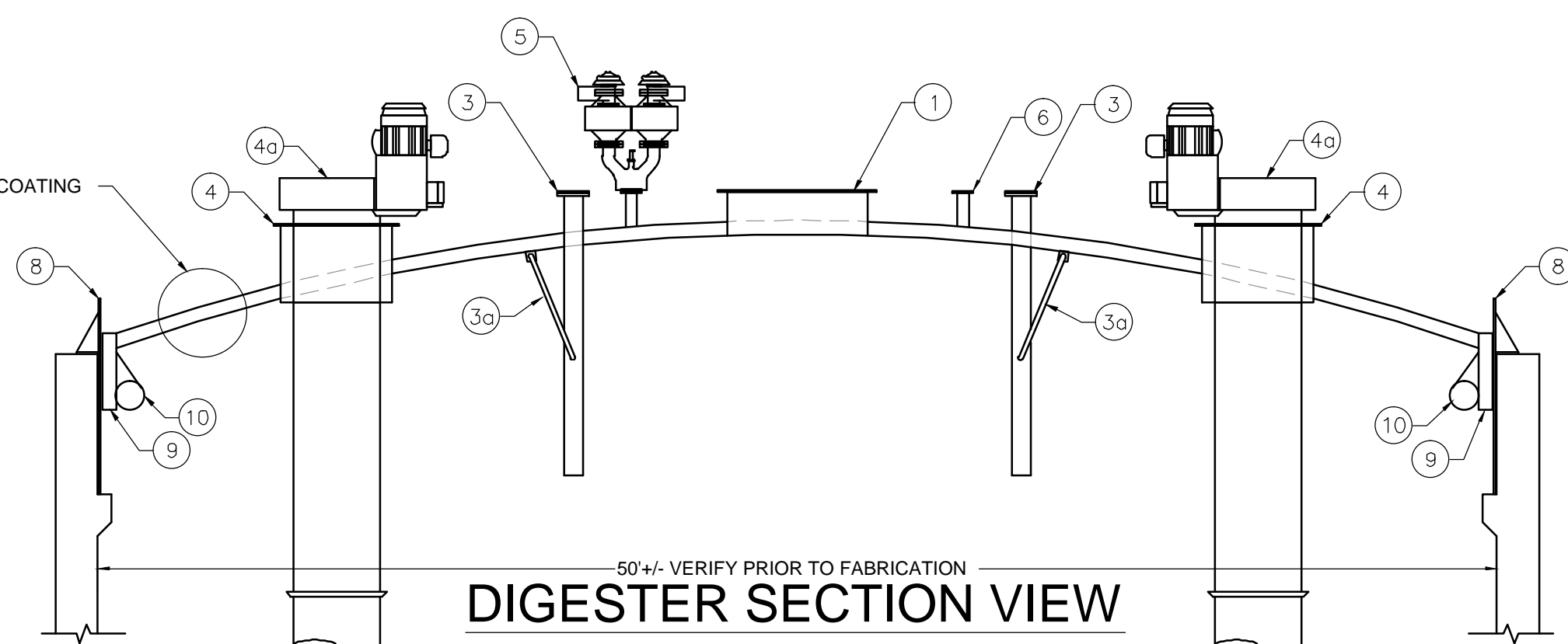
**PRIMARY DIGESTER
ALTERNATE BID "C" DETAILS
NEW ALUMINUM APRON WALL**

NTS

**DIGESTER SECTION VIEW
FIXED COVER**

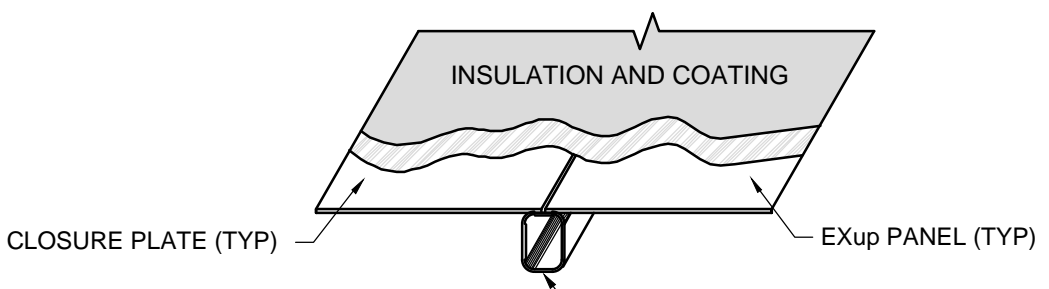


**DIGESTER SECTION VIEW
GAS RECOVERY COVER**



**INSULATION AND COATING
DETAIL AND NOTES**

N.T.S.



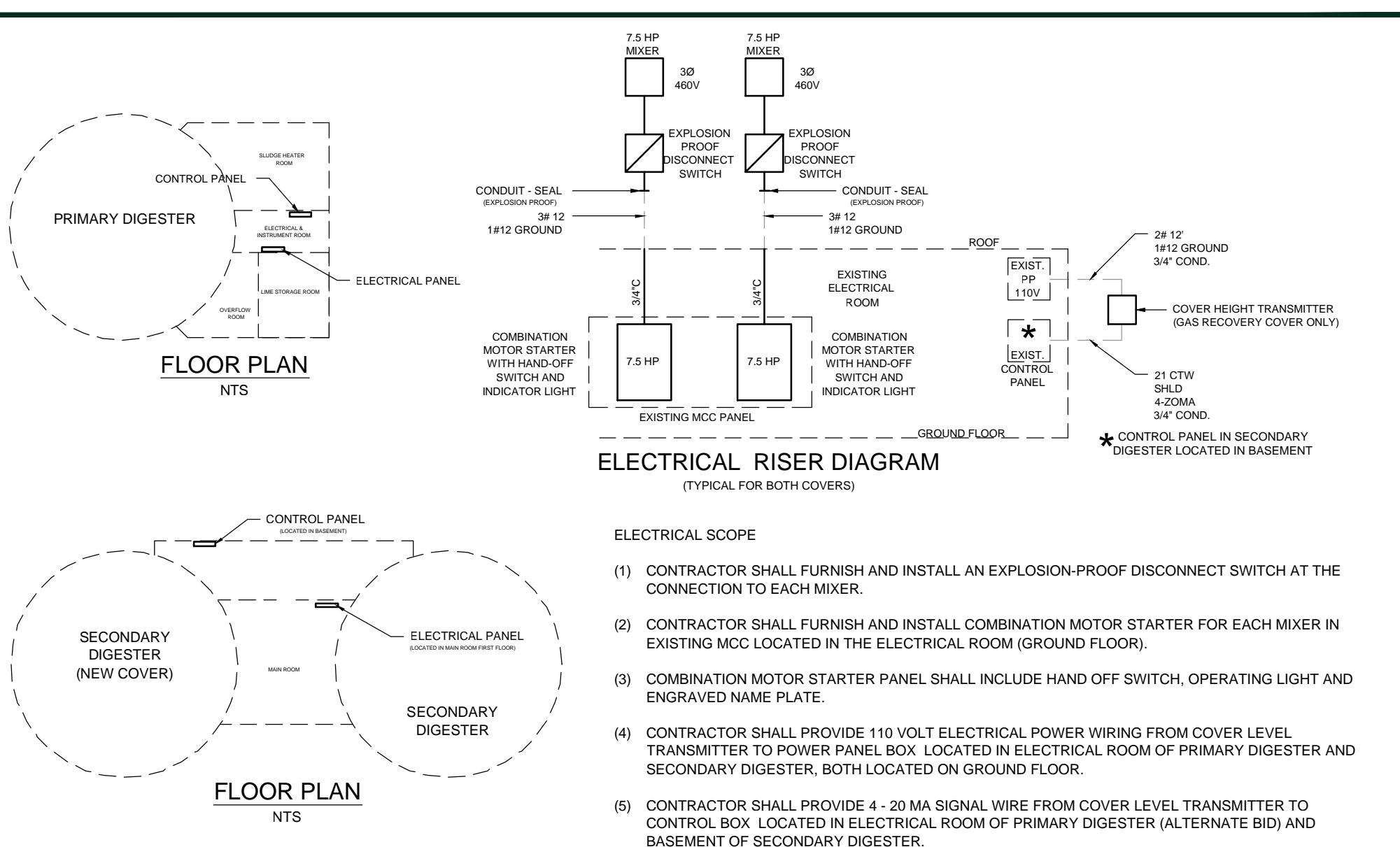
- PRIMER:**
APPLY (1) COAT OF GACO WESTERN (GW) 'ADHESIVE' EPOXY PRIMER, E-5320 PER GW PROCEDURES.
- INSULATION:**
SPRAY APPLY POLYURETHANE FOAM INSULATION TO ACHIEVE A R-21 INSULATION RATING. FOAM INSULATION SHALL BE GW #251 OR #273 AND SHALL BE APPLIED PER GW PROCEDURES.
- COATING - FIRST COAT:**
APPLY 10 MILS OF GW S1-1000 SILLICONE, LIGHT GRAY PER GW PROCEDURES.
- COATING - SECOND COAT:**
APPLY 10 MILS OF GW S1-1000 SILLICONE, LIGHT GRAY PER GW PROCEDURES.
- COATING - THIRD / TOP COAT:**
APPLY 10 MILS OF GW S1-1000 SILLICONE, LIGHT GRAY PER GW PROCEDURES, WHILE COATING IS STILL WET BROADCAST QUARTZ ROOFING GRANULARS AT A RATE OF 50 LBS PER 100 SQ. FT. ON HIGH TRAFFIC AREAS FOR TRACTION.

PRIMARY DIGESTER MATERIAL LIST

ITEM	QUANTITY	DESCRIPTION
1	1	6" DIAMETER CENTER RING, COVER BOLTED AND GASKET
2	2	30" MANHOLES, COVER BOLTED AND GASKET
3	2	8" SCH. 40 STEEL SAMPLE TUBES
3a	2	SAMPLE TUBE BRACE
4	2	48" STRUCTURAL MIXER MOUNTING PORTS
4a	2	DTI DIGESTER MIXER MODEL 5B
5	1	4" SCH 40 NOZZLE FOR DUAL PRESSURE RELIEF / VACUUM BREAKER VALVES AND FLAME ARRESTERS WITH SAFETY SELECTOR VALVE
6	1	2" SCH 40 NOZZLE, FLANGED OPENING WITH FLANGE PLATE

SECONDARY DIGESTER MATERIAL LIST

ITEM	QUANTITY	DESCRIPTION
1	1	6" DIAMETER CENTER RING, COVER BOLTED AND GASKET
2	2	30" MANHOLES, COVER BOLTED AND GASKET
3	2	8" SCH. 40 STEEL SAMPLE TUBES
3a	2	SAMPLE TUBE BRACE
4	2	48" STRUCTURAL MIXER MOUNTING PORTS
4a	2	DIGESTER MIXER MODEL NH
5	1	4" SCH 40 NOZZLE FOR DUAL PRESSURE RELIEF / VACUUM BREAKER VALVES AND FLAME ARRESTERS WITH SAFETY SELECTOR VALVE
6	1	18" GAS BONNET, COVER BOLTED AND GASKET
7	1	COVER VERTICAL GUIDE ASSEMBLY
8	5	COVER SLIDE ASSEMBLY
9	20	CONCRETE BALLAST LOG
10		



ELECTRICAL RISER DIAGRAM

- ELECTRICAL SCOPE**
- CONTRACTOR SHALL FURNISH AND INSTALL AN EXPLOSION PROOF DISCONNECT SWITCH AT THE CONNECTION TO EACH MIXER.
 - CONTRACTOR SHALL FURNISH AND INSTALL COMBINATION MOTOR STARTER FOR EACH MIXER IN EXISTING MCC LOCATED IN THE ELECTRICAL ROOM (GROUND FLOOR).
 - COMBINATION MOTOR STARTER PANEL SHALL INCLUDE HAND OFF SWITCH, OPERATING LIGHT AND ENGRAVED NAME PLATE.
 - CONTRACTOR SHALL PROVIDE 110 VOLT ELECTRICAL POWER WIRING FROM COVER LEVEL TRANSMITTER TO POWER PANEL BOX LOCATED IN ELECTRICAL ROOM OF PRIMARY DIGESTER AND SECONDARY DIGESTER, BOTH LOCATED ON GROUND FLOOR.
 - CONTRACTOR SHALL PROVIDE 4 - 20 MA SIGNAL WIRE FROM COVER LEVEL TRANSMITTER TO CONTROL BOX LOCATED IN ELECTRICAL ROOM OF PRIMARY DIGESTER (ALTERNATE BID) AND BASEMENT OF SECONDARY DIGESTER.

RONALD N. CURCIO
PROFESSIONAL ENGINEER
NEW JERSEY LICENSE NO. 35823

adams, rehmann & heggan
ASSOCIATES, INC.
1850 South White Horse Pike
P.O. Box 279
Mantoloking, NJ 08052
Tel: 973.546.8909
Fax: 973.546.8909
Certificate of Authorization No. 24642793300 (E-10, E-11, E-12, E-13, E-14, E-15, E-16, E-17, E-18, E-19, E-20, E-21, E-22, E-23, E-24, E-25, E-26, E-27, E-28, E-29, E-30, E-31, E-32, E-33, E-34, E-35, E-36, E-37, E-38, E-39, E-40, E-41, E-42, E-43, E-44, E-45, E-46, E-47, E-48, E-49, E-50, E-51, E-52, E-53, E-54, E-55, E-56, E-57, E-58, E-59, E-60, E-61, E-62, E-63, E-64, E-65, E-66, E-67, E-68, E-69, E-70, E-71, E-72, E-73, E-74, E-75, E-76, E-77, E-78, E-79, E-80, E-81, E-82, E-83, E-84, E-85, E-86, E-87, E-88, E-89, E-90, E-91, E-92, E-93, E-94, E-95, E-96, E-97, E-98, E-99, E-100)

arh
ENGINEERS
SURVEYORS
PLANNERS

**DIGESTER COVER
PRIMARY and SECONDARY**

**CUMBERLAND COUNTY UTILITIES AUTHORITY
FY 2013 TREATMENT PLANT UPGRADES**

DATE: February 15, 2012
SCALE: as noted
DESIGNED BY: RCS
CHECKED BY: RCS
DATE: 4 of 6